

SERAPHIN® PROVER ON A SKID WITH PUMP-OFF

OPERATING AND MAINTENANCE INSTRUCTIONS



Seraphin® Test Measure
A Division of Pemberton Fabricators, Inc.
Rancocas, NJ

July 2004

Seraphin® - 30 Indel Avenue – Rancocas, NJ 08073
Tel: 1-609-267-0922 Fax: 1-609-261-2546 e-mail: sales@seraphinusa.com
Pub E91-4047

NOTICE

PEMBERTON FABRICATORS, INC. (SERAPHIN® DIVISION) SHALL NOT BE LIABLE FOR TECHNICAL OR EDITORIAL ERRORS IN THIS MANUAL OR OMISSIONS FROM THIS MANUAL. SERAPHIN® MAKES NO WARRANTIES, EXPRESSED OR IMPLIED, INCLUDING THE IMPLIED WARRANTIES OF MERCHANTABILITY AND FITNESS FOR A PARTICULAR PURPOSE WITH RESPECT TO THIS MANUAL AND, IN NO EVENT, SHALL SERAPHIN® BE LIABLE FOR ANY SPECIAL OR CONSEQUENTIAL DAMAGES INCLUDING, BUT NOT LIMITED TO, LOSS OF PRODUCTION, LOSS OF PROFITS, ETC.

PRODUCT NAMES USED HEREIN ARE FOR MANUFACTURER OR SUPPLIER IDENTIFICATION ONLY AND MAYBE TRADEMARKS/REGISTERED TRADEMARKS OF THESE COMPANIES.

THE CONTENTS OF THIS PUBLICATION ARE PRESENTED FOR INFORMATIONAL PURPOSES ONLY, AND WHILE EVERY EFFORT HAS BEEN MADE TO ENSURE THEIR ACCURACY, THEY ARE NOT TO BE CONSTRUED AS WARRANTTES OR GUARANTEES, EXPRESSED OR IMPLIED, REGARDING. THE PRODUCTS OR SERVICES DESCRIBED HEREIN OR THEIR USE OR APPLICABILITY. WE RESERVE THE RIGHT TO MODIFY OR IMPROVE THE DESIGNS OR SPECTFTCATIONS OF SUCH PRODUCTS AT ANY TIME.

SERAPHIN® DOES NOT ASSUME RESPONSIBILITY FOR THE SELECTION, USE OR MAINTENANCE OF ANY PRODUCT. RESPONSIBILITY FOR PROPER SELECTION, USE AND MAINTENANCE OF ANY SERAPHIN® PRODUCT REMAINS SOLELY WITH THE PURCHASER AND END-USER.

SERAPHIN® IS THE REGISTERED TRADEMARK OF PEMBERTON FABRICATORS, INC

BY SERAPHIN® DIVISION of

PEMBERTON FABRICATORS, INC.

RANCOCAS, NJ, U.S.A.

No part of this work may be reproduced or copied in any form or by any means – graphic, electronic or mechanical- without first receiving the written permission or Pemberton Fabricators, Inc.

Description:

The Seraphin skid prover system is made up of a precision volumetric stainless steel Prover connected to a pump-off system and mounted on skid. The prover drain valve is plumbed to piping that can be routed via butterfly valves to a gravity drain or to the pump. A manual hose reel, with hose and nozzle, is connected to the pump. The hose is used to route the petroleum to an above ground storage tank or up into a tank truck.

Operation:**Reference:**

For officially recognized petroleum measurement procedures and methods--reference **API Manual of Petroleum Measurement Standards, Chapter 4, Section 4 (Tank Provers) and Section 8 (Operation of Proving Systems).**

Figures:

Figure 1 is a schematic diagram of the Mobile Prover System piping. Component parts including valves and fittings are labeled. Refer to Figure 1, on page 7, when aligning the system for filling or draining.

Set-up Procedure:

1. Electrically ground the skid unit, to a proper earth ground, using the 50 ft. of grounding cable enclosed in a retractable reel, which is mounted on the skid bed. This will dissipate any static electricity that could be generated during the filling of the prover.



Stop Static.

WARNING: *The prover/trailer system must be properly grounded prior to conducting petroleum measurement testing to prevent possible static electricity from sparking which could ignite a flammable product. Follow all safety measures.*

2. Ensure the prover drain valve is closed.
3. Close the pump isolation valve and the gravity drain isolation valve.
4. Visually inspect, from the top neck opening, the interior of the prover to ensure it is free of debris, which could affect the accuracy of the liquid volume measurement.

Prover Wetting Procedure:

1. If the prover is clean and free of debris, fill the prover with liquid from the meter device being checked. Fill the prover until the amount on the meter reads the nominal capacity of the prover.

NOTE: *The prover must be filled once and drained in order to wet the internal sides of the prover body. Wetting the internals of the prover helps ensure consistency in the amount of liquid that clings to the sides, from one test to the next.*

2. Align the drain valve and the isolation valves to either the pump or the gravity drain as required using the draining procedures outlined below.



CAUTION: *Under no circumstances should both the gravity drain isolation valve and the pump isolation valve be open at the same time.*

Draining the Prover through Gravity Drain Connection:

1. Ensure prover drain valve is completely closed.
2. Connect a petroleum drain hose (not provided) to the gravity drain quick connect fitting.
3. Route the hose to the below ground storage tank inlet piping.
4. Verify that the pump isolation valve is closed.
5. Open the gravity drain isolation valve.
6. Ensure gravity drain hose is attended or secured in storage tank inlet.
7. Open the prover drain valve and begin draining back to the storage tank.
8. While draining, visually observe the flow of the petroleum through the drain sight glass just down stream of the prover drain valve. Once the main flow through the sight glass breaks and becomes a trickle—leave the prover drain valve open for 30 seconds and then close it.

Draining the Prover via the Pump System:

1. Ensure the prover drain valve is completely closed.
2. Verify that the gravity drain isolation valve to the gravity drain connection is closed.
3. Pull off as much hose as needed from the hose reel to reach the above ground storage tank or tank truck inlet. Stick the hose nozzle in the storage tank receptacle. Be sure someone is attending the nozzle or that it is safely secured in place so as not to allow it to accidentally fall out, potentially causing a spill.
4. Open the pump isolation valve.
5. Open the Prover drain valve allowing petroleum to reach the pump inlet.



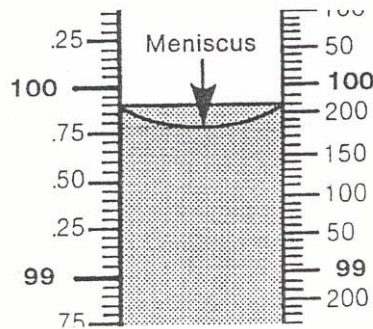
WARNING: *Always use caution when working with electrical circuits – Failure to use caution can result in serious personal injury or death.*

6. Turn on the pump at the on/off switch at the motor controller.
7. While draining, visually observe the flow of the petroleum through the sight glass just down stream of the prover drain valve. Once the main flow stops, then after 30 seconds close the prover drain valve.
8. Turn off pump when all fuel is drained from the interconnect piping.
9. Close the pump isolation valve.

Testing Procedure:

1. Ensure the trailer is grounded to a proper earth ground using the retractable grounding cable attached to the trailer.
2. Verify that the prover drain valve is closed.
3. Fill the prover until the meter being checked reads the nominal capacity of the prover.

4. Select the proper fill method for which your prover is equipped:
 - Through the top of neck opening
 - Top Loading Bottom Fill pipe
 - Bottom Loading Fill connection
 - Drybreak fitting
5. Make the connection from the petroleum dispenser to the appropriate fill fitting in which your prover is equipped.
6. Fill the prover until the meter you are checking reads the nominal capacity of the prover.
7. Identify the volume measurement on the scale by reading the meniscus in the gauge glass. Look directly from eye level to a horizontal line tangential to the bottom of the meniscus. Record the result.



8. Compare the volume amount read on the meter to what the actual volume is on the scale.
9. Drain the prover back to a storage tank via gravity drain or through the pump-off system as outlined in the procedures above.



CAUTION: *Disposal of drained fluid should be done in an environmentally safe and responsible manner in accordance with good industry practices and in compliance with OSHA regulations*

Schematic Diagram of Mobile Prover System Piping

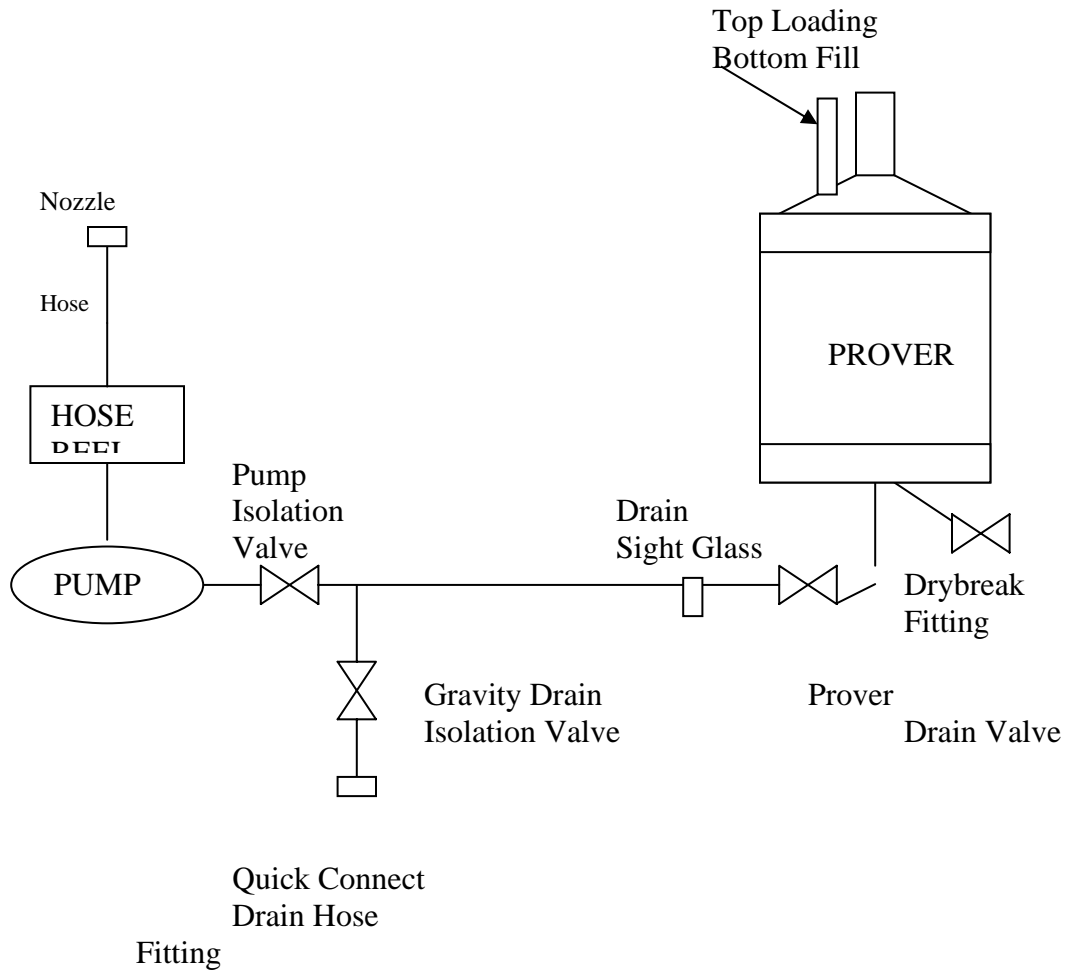


FIGURE 1

Care and Maintenance of Provers

1. Check pump, provers, valves and piping periodically for dents and leaks at the seams, joints, connections and gauge assembly. If a leak is detected, call SERAPHIN® for authorized repair parts.

Maintenance and Care of Pumps

General Safety

1. Read the instruction, Operation and Maintenance Manual for your pump before installing, operating or performing maintenance on the pump or its related equipment.



CAUTION: *Remember that pump safety is the responsibility of the user. Failure to comply with advised safety rules can lead to injuries and/or damage to equipment*

2. Overheated pumps can cause severe burns and injury. If overheating of pump casing occurs:
 - a) Stop pump immediately.
 - b) Allow pump to cool to air temperature.
 - c) Slowly and cautiously vent pump at drain plug.
 - d) Refer to Manufacturer's Installation, Operation and Maintenance Manual before restarting.
3. Do not operate pump without all guards and shields in place.
4. Cautiously approach any pump that has been in operation.
5. Pump only liquids for which the pump was designed.
6. Do not pump flammable or corrosive liquids unless pump and piping are designed for such.
7. Operating pump with suction and/or discharge closed is one cause of severe overheating.
8. Note direction of rotation - operating pump in wrong direction may cause impeller to unscrew and damage pump casing or other pump parts.
9. Locate the pump in an accessible location, as close as safely possible to the liquid to be pumped.
10. Check all lubricants before installation and operation and in accordance with maintenance programs.
11. When lifting pumps, use only lifting equipment in good repair with adequate capacity.

12. Never operate a self-priming pump unless the pump casing is filled with liquid. Doing so may damage the pump. The pump will not prime unless the pump casing is filled with liquid.



CAUTION: *Never operate a self-priming pump unless the pump is filled with liquid. This can damage the pump.*

13. Do not remove the coverplate, fill port cap, gauge port plug, or drain plug from any overheated pump. Allow pump to cool to air temperature. Check pump temperature before opening coverplate, fill port, gauge port plug or drain plug.
14. Do not operate pump against a closed valve.
15. Check the suction strainer regularly to be sure that it is not clogged.
16. Secure the pump so that it cannot move after it is in its operating position.
17. Never operate pumps in explosive or volatile atmospheres unless they are designed to be operated in these environments.
18. Check the pump thoroughly upon delivery for any shipping damage.
19. Never wear loose clothing around machinery.
20. Always read and keep the Installation, Operation and Maintenance Manual for your pump.
21. When overhauling pumps, never remove or cover warning tags and labels.
22. Be sure that only experienced personnel operate machinery.
23. Before working on pumps with electric motors and panels, LOCK control panel in the OFF position:
 - a) If control panel cannot be locked, pull main fuse or circuit breaker.
 - b) Remove all V-belts.
 - c) Disengage drive coupling.
24. Drain pump completely of water before freezing weather.
25. Do not work in underground pump systems alone or without adequate ventilation

Terminology

Bottom loading: Method of filling a volumetric vessel. Intake is made with a bottom load adapter.

Capacity, nominal: The nominal capacity of a field standard test measure or prover is the volume used to designate the measure or prover. The volume is determined by the nominal mark on a graduated upper neck gauge and between the nominal mark on the graduated upper neck gauge and the lower shut off valve or zero mark on a lower neck gauge on a prover.

***NOTE:** The nominal capacity of the prover has be set at the Seraphin[®] facility using Standards that are traceable to the National Institute of Standards and Technology (NIST). If uncertainty values or a higher order of calibration is needed the unit should be sent to a certified calibration laboratory.*

Cubical coefficient of thermal expansion: Three dimensional expansion or contraction of a material due to temperature change, expressed °C⁻¹ or °F⁻¹

Field standard test measure: A measure that can be hand held and is usually less than 40 Liters (10 Gallons).

"High Resolution" standard: A standard with a small diameter neck for improved resolution in reading the meniscus. Generally used in the laboratory as a standard or check standard for measurement control of a primary standard.

Main flow cessation: The moment when a full discharge stream "breaks" and becomes a trickle or a drip.

Prover: Bottom drain is implied. Filled from the top or bottom loading, depending on intended use. May be free standing, mounted permanently, or on truck or trailer and not hand held.

Reference temperature: The temperature at which the measure is intended to contain or to deliver its nominal capacity.

Sight-flow-indicator: A fitting with windows to visually observe the flow through a pipe.

Submerged fill pipe: Pipe used in top filling to minimize foaming of liquids, such as fuel oil and milk, by discharging the product into the bottom of a prover.

To contain: An indication that the standard is adjusted to contain its intended volume when filled from its empty condition at a reference temperature. (the empty condition is "dry" and test measures or provers are generally not used in this condition).

To deliver: An indication that the standard is adjusted to deliver its intended volume at a reference temperature. Provers used in a "wet" condition are marked To Deliver.

Tolerance: Maximum permissible error. A value fixing the limit of allowable error or departure from the true performance or value.

Vapor recovery: A system for entrapping and collecting vapors for return to the tank to prevent expulsion into the atmosphere.

SAFETY

The use of a test measure or prover standard may involve hazardous materials, operations, and equipment. Seraphin does not purport to address all safety problems associated with the use of each product. It is the responsibility of the user of the standard to establish appropriate safety and health practices and determine the applicability of local and federal regulatory limitations prior to use. Specific safety information is documented in the various trade references (e.g. American Petroleum Institute and Petroleum Equipment Institute).

Commercial liquid measuring devices, tested with provers, are typically used to measure quantities of petroleum products. Petroleum products are known hazardous materials and hazardous wastes. The user is encouraged to obtain Material Safety Data Sheets (MSDS) from the manufacturer of any product encountered. Federal, state and local safety and disposal regulations concerning hazardous materials encountered should be reviewed by the user.

Safety devices and locks should be installed to prevent inadvertent operation of, or unauthorized tampering with, equipment. All automated or power-operated meter proving systems should have emergency manual operators for use during an accident or power failure. Grounding devices should be provided to protect against electrical shock or static discharge in both tank prover and \ electrical instrumentation.

All electrical connections must be explosion proof. All wiring, including low voltage wiring shall meet the requirements of Article 300, 500, Group D, Class 1, Division 1, and 250.45 and/or other applicable articles of the latest edition of the National Electrical Code.

SERAPHIN® TEST MEASURE
DIVISION OF PEMBERTON FABRICATORS, INC.
PO BOX 227 30 INDEL AVENUE
RANCOCAS, NJ 08073-0227

CERTIFICATE OF WARRANTY

PEMBERTON FABRICATORS, INC. FULLY WARRANTS THAT THE PRODUCT SUPPLIED SHALL CONFORM TO THE DESCRIPTION IN THE QUOTATION AND AGREES TO REPAIR OR REPLACE F.O.B. SHIPPING POINTS, ANY PARTS EXCEPTING EXPENDABLE ITEMS SUCH AS FILTERS AND LIGHTS THAT FAIL DUE TO DEFECTS IN MATERIAL OR WORKMANSHIP WITHIN ONE YEAR OF USE OR 18 MONTHS AFTER SHIPMENT, WHICHEVER OCCURS FIRST.

Other than those expressly stated herein, there are no other warranties of any kind, expressed or implied, and specifically excluded but not by way of limitation, are the implied warranties of fitness for particular purpose and merchantability.

It is understood and agreed that Pemberton Fabricators, Inc.'s liability whether in contract, in tort, under any warranty, in negligence or otherwise shall not exceed the cost of repair or replacement, f.o.b. shipping points, of defective parts. Under no circumstances shall Pemberton Fabricators, Inc. be liable for special, indirect, incidental, or consequential damages. The price stated for the equipment is a consideration in limiting Pemberton Fabricators, Inc.'s liability. No action, regardless of form, arising out of the transactions of this agreement may be brought by purchaser more than one year after the cause of action has accrued.

The warranty for the equipment proposed is as stated in the above paragraphs. It is not re- stated -- nor does it appear in any other form.